



The Flameshield 240 Industrial Fireshutter

The heavy duty solution for industry.

So, if you're looking for proven quality and built-in reliability, this heavy duty fireshutter fits the bill every time.

The **Flameshield 240 Industrial Fireshutter** was submitted to the Warrington Fire Research Establishment and is constructed to WARRES No. 150735 - the test is in accordance with clause 8 of BS476 part 22: 1987.

So, if you're looking for the best in fireshutters, look no further than the **Flameshield** range from Cooks for both industrial and commercial applications.

OPERATION

Electrically operated IPH / 3PH.

ELECTRICAL OPERATION

All electric fire shutters are available in 3 phase, 415 volts, 50hz or 1 phase, 240 volts, 50hz.

The shutters are driven by a geared electric motor; which has an integral controlled descent mechanism, emergency hand chain facility and push button starter.

The shutters rate of descent is controlled through the gears being constantly engaged, the closure speed is approximately 100mm per second.

The clutch can be reset and the door can be raised and lowered in a normal manner. Each motor incorporates a relay inhibitor to prevent the solenoid "burning out".

- Activation is generally by means of a fusible link, solenoid release or both.
- Units available in 1 phase or 3 phase.
- The motor unit has the facility to simulate a fire test via a pull and reset cord.

MODES OF ACTIVATION

Fusible Link Release

On activation the link which is a soldered link separates and releases at 68 degrees centigrade, manual brake release is activated and the shutter will close under a controlled manner.

Manual Solenoid Release

All solenoid release mechanisms are designed to be linked into the fire alarm, the signal required from the fire alarm is 24 volt. 0.5 amps on activation. The signal from the fire alarm will trigger the manual brake release and allow the door to close under a controlled descent.

Auto Solenoid Release

Again this is linked to the fire alarm and the signal required from the fire alarm is 24 volt D.C. 0.5 amps. This is the most

commonly used activation allowing for frequent testing and re-setting, when the door is returned to the open position (after removal of the fire signal), the solenoid can be automatically reset.

Audio Visual Warning (FDI)

Principally this unit is designed to delay the closing of the fire shutter; generally the fire alarm is linked to the audio visual unit and from the audio visual unit into the solenoid.

On activation from the fire alarm the unit starts to "flash & sound", this unit contains a programmable timer which effectively delays the signal to the solenoid to close the door.

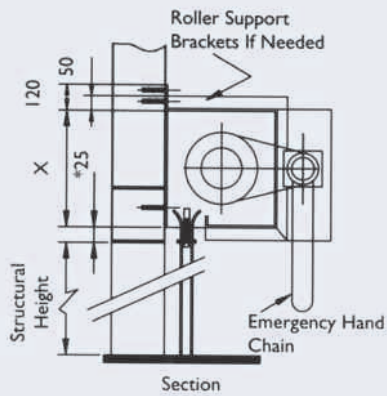
PAINT FINISH OPTION

To compliment the aesthetics of your application, this product can be powder coated to any BS or RAL colour (subject to availability).

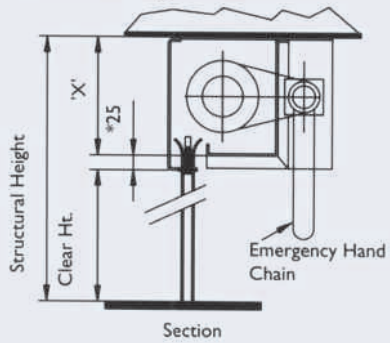
Flameshield 240 Standard Build	
Curtain	75mm curved lath. 'T' section bottom rail.
Guides	65mm U Section. Galvanised.
Angles	75mm x 50mm mild steel. (minimum)
Operation	IPH 240 volts 50Hz or 3PH 415 volts 50Hz
Finish	1 coat primer paint on end plates, angles and barrel.

INDUSTRIAL FIRESHIELD 240

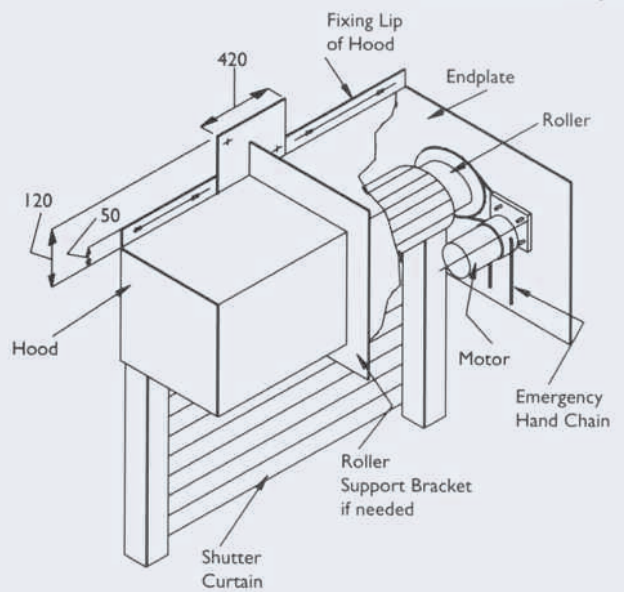
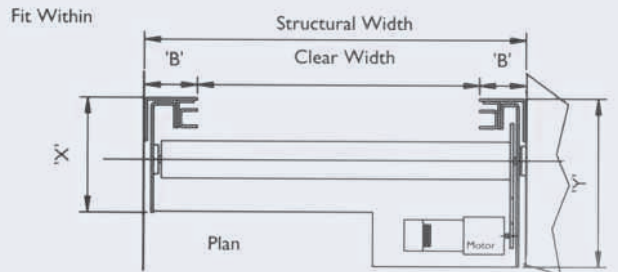
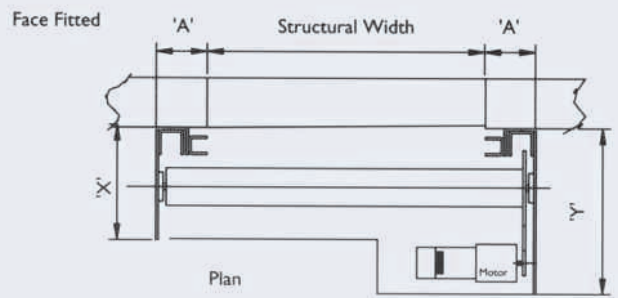
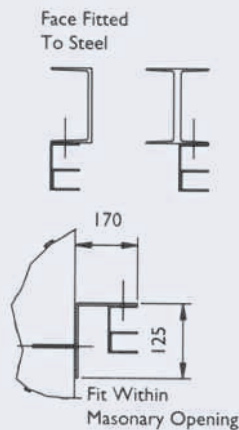
Door Weight Varies With Opening Size Depending On Lath/Barrel/Casing Requirements But Is Typically 45Kg/sq. metre



NB: Dim Marked * = 100mm When Roller Support Used



NB: Dim. Marked * = 100mm When Roller Support Used



Sideroom Requirements			
A	B		
3000 x 3000	153	170	
5000 x 5000	153	170	
7000 x 7000	153	170	

Headroom Requirements			
X	Y		
3000 x 3000	350	550	
5000 x 5000	400	600	
7000 x 7000	450	650	



FDI Audio Visual Warning Panel



Battery Back Up Unit



Fire Relay Unit



Key Switch



Push Button Station



Cooks Blinds and Shutters Ltd
 Burnet Road, Sweet Briar Industrial Estate, Norwich, NR3 2BS
 Telephone: Norwich (01603) 410304 Fax: (01603) 405090
 Email: sales@cooksdoors.co.uk www.cooksdoors.co.uk



Raising Standards
 Safety Assured